

# REV 4

SPECIFICATION SHEET  
ARCHI-COLOR® W+RGB

## QUIET CEILING DESIGN HIGH LUMEN RECESSED DOWNLIGHT

### Housing

Aperture : Ø4.61" | Oversize Trim : 5.3" | Ceiling Cutout : 4.82"  
Maximum Ceiling Thickness : 2" | Height : 7.6"  
Weight : 8.8 lbs (New Construction), 7 lbs (Retrofit)

### Material

Housing : Extruded Aluminum  
Reflector : Flow Forming Aluminum

### Power Input

50W (White=25W, RGB=25W) | 120-277V

### Lumen Output

3,250 lm (50W)

### Dimming

DMX : High resolution dims to 0.1%

### Color Quality

CRI 85

### Rated Life

> 100,000 Hours (L70)

### Finish



Black



White

### Color Temperature



3000K



Archi-Color® W+RGB

### Optics



45°



55°

### Warranty

5 Year limited warranty

### Listing



## Precision Engineered For High Performance.

4-inch aperture high lumen recessed downlight utilizing Meteor Lighting's proprietary Archi-Color® solution, that gives you True White light and unlimited RGB possibilities.

This product is compatible with all DMX control systems and follows ANSI E1.20 RDM protocol. You can now get white and RGB colors all from a single light source.



# METEOR

[meteor-lighting.com](http://meteor-lighting.com)

**SPECIFICATION**

PROJECT NAME

DATE

CATALOG #

QUANTITY

*The product configurator function on this page works only with the latest version of Chrome or Adobe Acrobat Reader.*

|                                   |             |   |   |
|-----------------------------------|-------------|---|---|
| <input type="text"/>              | MODEL       | <b>RS4N</b> Rev 4 New Construction                          | <b>RS4R</b> Rev 4 Retrofit  |
| <input type="text" value="50"/>   | WATTAGE     | <b>50</b> 50W   |   |
| <input type="text" value="308C"/> | CCT / CRI   | <b>308C</b> 3000K + RGB / CRI 85<br>Archi-Color® W+RGB      |   |
| <input type="text"/>              | VOLTAGE     | <b>120</b> 120V   | <b>277</b> 277V   |
| <input type="text"/>              | DIMMING     | <b>DMX</b> DMX dims to 0.1%<br>(XLR Sockets)                | <b>DMXR</b> DMX dims to 0.1%<br>(RJ45 Sockets) <b>DMXP</b> DMX dims to 0.1%<br>(Terminal Block) |
| <input type="text"/>              | BEAM ANGLE  | <b>45</b> 45° with Standard Trim                            | <b>55</b> 55° with Low Trim   |
| <input type="text"/>              | FINISH*     | <b>BLK</b> Black  | <b>WHT</b> White  |
| <input type="text"/>              | ACCESSORIES | <b>SCA410</b> <sup>1</sup> Sloped Ceiling Adapter<br>8°-12° |   |

CLEAR FORM

<sup>1</sup> SCA410 option is only compatible with New Construction  
\* Finish indicates Trim only, with standard matte silver reflector

## TECHNICAL DETAILS

---

### Electrical

- 3,250 lm (50W | White = 25W, RGB = 25W)
- Power Input : 120V or 277V
- Operating Temperature : -20°F~104°F (Retrofit),  
-13°F~112°F (New Construction)
- Surge Protection : Built-in is 4KV
- Power Factor Greater than 0.9

### LED Features

- Color Temperature : 3000K + Archi-Color® W+RGB
- CRI 85
- Long lasting LED luminaire tested under TM21 lumen maintenance L70 @ 100,000 Hrs

### Optics

- Flow Forming Aluminum Reflector
- Beam Angle : 45°, 55° (Low Trim only)

### Advanced Dimming

- Proprietary VX Driver™ is integrated across all dimming options, delivering video flicker-free performance and full compliance with IEEE 1789.
- DMX : High resolution dims to 0.1% (Supports ANSI E1.20 RDM protocol)

### New Construction Housing

- Aperture : Ø4.61" (New Construction), Ø4.82" (Retrofit)
- Height : 8"
- Weight : 8.8 lbs (New Construction), 7 lbs (Retrofit)
- Material : Extruded Aluminum (New Construction), High Pressure Aluminum (Retrofit)
- Non-IC Rated, insulation must be kept >1ft from housing
- Oversize Trim : 5.3"
- Ceiling Cutout : 4.82"
- Maximum Ceiling Thickness : 1.3" (New Construction), 1.7" (Retrofit)
- Tool-less top access allows service from above and below
- Light engine, optics, and driver(s) accessible from below ceiling

\*Note : C-Channel / Mounting Channels / T-Bar Hangers are purchased from a third party

### Warranty

- 5-year limited warranty

### Listing

- ETL Damp Location Listed
- FCC
- CE
- UKCA

**PERFORMANCE SUMMARY\***

| Lumen Performance |       |         |       |         |
|-------------------|-------|---------|-------|---------|
|                   | R     | G       | B     | W       |
| <b>50W</b>        | 120lm | 1,000lm | 115lm | 2,015lm |

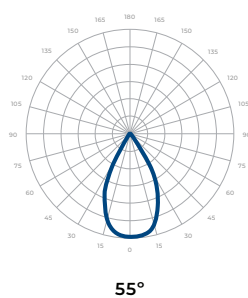
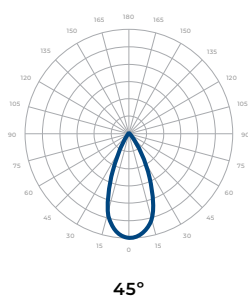
| Wattage                |    |    |    |     |
|------------------------|----|----|----|-----|
| Channel                | R  | G  | B  | W   |
| <b>Fixture Wattage</b> |    |    |    |     |
| <b>50W</b>             | 8W | 8W | 8W | 25W |

\*Beam Angle 45° Tolerance ±8%

| Current Consumption |       |       |
|---------------------|-------|-------|
| WATTAGE / VOLT      | 120V  | 227V  |
| <b>50W</b>          | 0.48A | 0.21A |

**PHOTOMETRICS**

Below is a typical photometric representation of the Rev 4 fixture. Please download IES files to ensure exact photometric value.



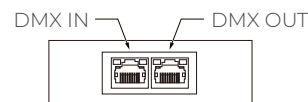
## DMX REQUIREMENTS

The Rev 4 Archi-Color® fixture with DMX is a **four channel dmx** unit. When placing an order, please indicate DMX address. (The DMX address will be listed on the back of the fixture). Do not connect more than 32 fixtures per DMX daisy chain.

| Fixture | DMX Address         |                         |                        |                         |
|---------|---------------------|-------------------------|------------------------|-------------------------|
|         | Red Control (ex. X) | Green Control (ex. X+1) | Blue Control (ex. X+2) | White Control (ex. X+3) |
| #1      | 1                   | 2                       | 3                      | 4                       |
| #2      | 5                   | 6                       | 7                      | 8                       |
| #3      | 9                   | 10                      | 11                     | 12                      |

The fixture can be connected with RJ45 or XLR sockets. DMX cables **are not** included; please refer to compatible DMX cabling list for more information. The final fixture on each daisy chain should be terminated by the use of a DMX terminator purchased from a 3rd party or from Meteor.

| CONNECTION | RJ45 (CAT5e)                      | 5-PIN XLR |
|------------|-----------------------------------|-----------|
| Common     | WHITE/BROWN(PIN7) & BROWN (PIN 8) | PIN 1     |
| Signal -   | ORANGE (PIN 2)                    | PIN 2     |
| Signal +   | WHITE/ORANGE (PIN 1)              | PIN 3     |
| Spare      | -                                 | PIN 4     |
| Spare      | -                                 | PIN 5     |



RJ45 Sockets



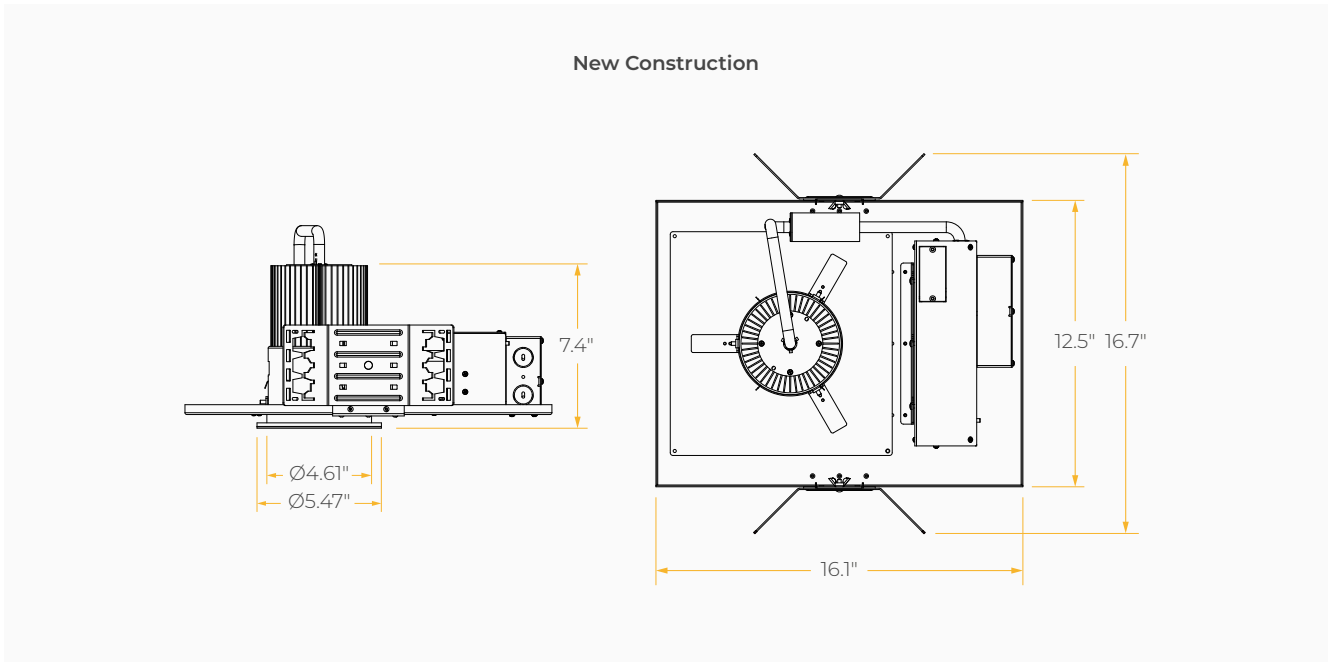
XLR Sockets

## COMPATIBLE DMX CABLING LIST

DMX uses a cable consisting of two twisted pairs plus a shield to carry data. The cable must be specifically impedance matched for the digital DMX signal, meaning that microphone cable or other non-rated cable must not be used to carry DMX. Network cable (Cat5, 5e or 6 cable) may be used to carry DMX in an installation; however special consideration must be given to shielding and termination. Under no circumstances should solid core cable like Cat5 be terminated into a screw down connector.

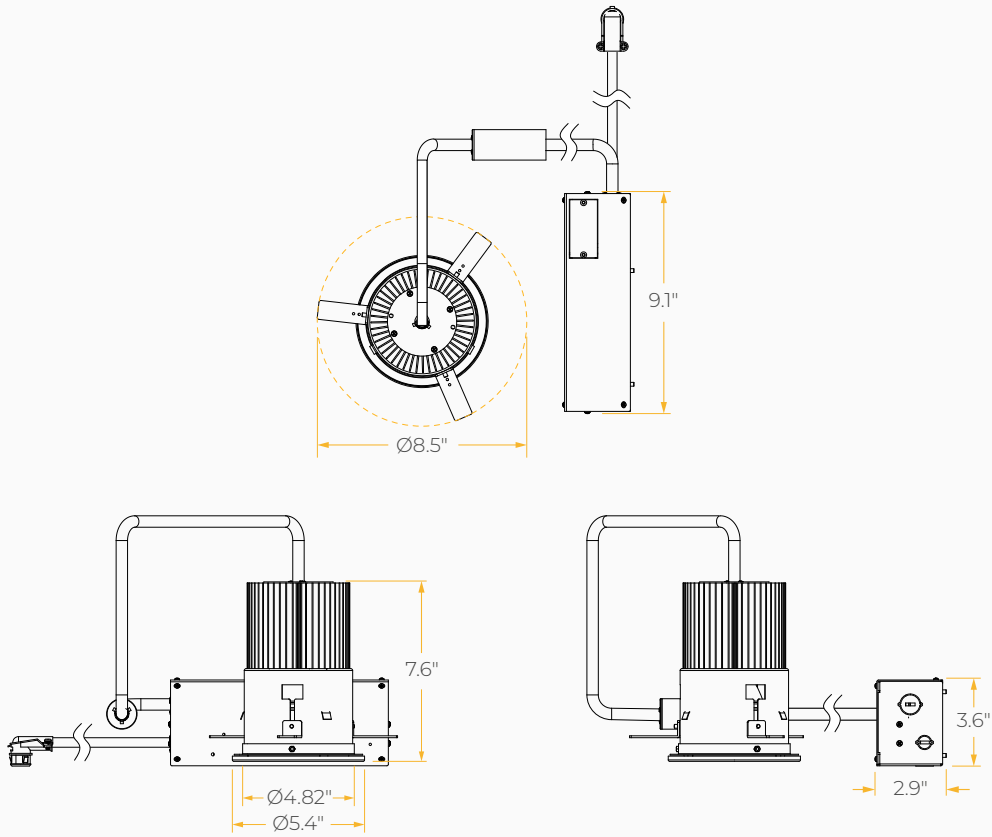
Meteor recommends the use of Belden 9729 or Belden 9841 for DMX installation. Belden 9729/9841 is a two pair cable, which allows for a spare pair for 'out and back' type terminations if needed.

DIMENSIONS



DIMENSIONS

Retrofit



Sloped Ceiling Adapter

